

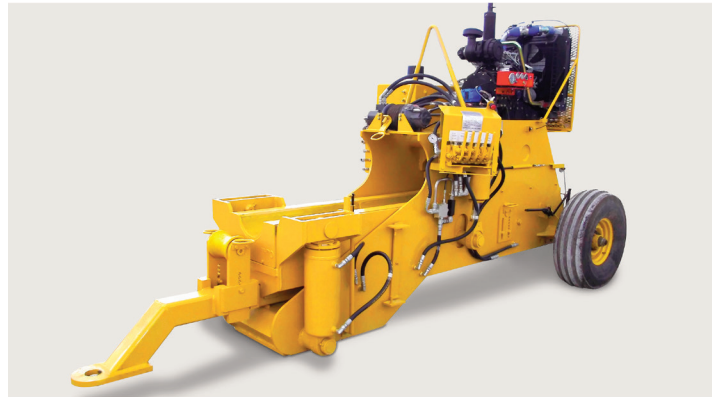


PIPE BENDING MACHINE

OPEN FACE 6" - 20"

Design Features

- Three-Stage Pump option available
- T1 Steel body construction for long life and extra strength
- Calibrated Indicator Rod for precise repeatable pipe bends
- Single operator control station for all functions
- PTFE sealing system in all cylinders
- Designed to bend all grades of API-5L pipe within its range
- Easily towed on the right of way by a suitable tractor
- Towing eye can be raised and lowered by actuating the Stiffback controls



HYDRAULICS

	BORE (IN)	STROKE (IN)	ROD (IN)
InBoard Cylinder	7	6	2.25
OutBoard Cylinder	8	14	6
Pin Up Cylinder	5	23	2.25
Clamp Cylinder			
Pump Type	Vane, Fix Volume		
Pump Flow	46 gpm		
Valve Type	Manual, 3 or 5 Section		
Filtration	3 Micron, Pressure Line		
Hydraulic System Max Operating Pressure	3000 psig		
Hydraulic Reservoir	50 gal	187.5 L	

Disclaimer:

Technical information provided for this equipment regarding performance, specifications, dimension and weights can vary depending on final configuration of the equipment. Please contact DMI International for actual specifications at time of shipment.

DMI International does not accept responsibility for errors regarding the technical information, nor the consequences of any errors, nor the consequences to changes in the specifications contained herein. DMI International reserves the right to modify the equipment performance and specifications without notice.

PIPE BENDING CAPACITY

	Dia (in)
Minimum	6.625
Maximum	20

SPECIFICATIONS

Length	17'-5"	5,309 mm
Width	8'-0"	2,438 mm
Height	7'-7"	2,311 mm
Weight (lbs/kg)	12,700 lbs	5,773 kg
Pneumatic Tire Size	11.0 x 16	

ENGINES

Perkins Diesel	67	hp
Operating Speed	2200	rpm
Fuel Tank	15	gal

COMPRESSOR

Manufacturer	Quincy QR-325
Drive Type	Hydraulic Motor
Pressure	210 psig
Flow	17.4 acfm @ 175 psig

WINCH

Manufacturer	Ramsey
Drive Type	Hydraulic Motor
Pulling Force	10,000 lbf
Cable Diameter	.4375"
Free Wheeling Drum	

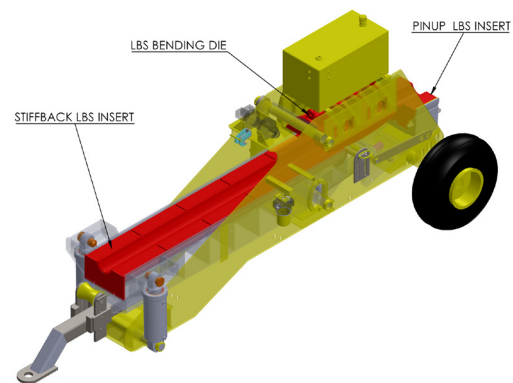
OPTIONS AVAILABLE

- Hydraulic driven air compressors
- Hydraulic mandrel controls with five-section valve & 3/4" access connections
- Tires or Tracks
- Cold weather operating kit (-40°) available

NOMINAL PIPE O.D.	MAXIMUM WALL THICKNESS BY GRADE						RECOMMENDED BEND		
	X52	X60	X65	X70	X80	X100	DEGREE PER ARC FOOT	RADIUS FEET	MAXIMUM 40 FOOT JOINT
20/508	1.297	1.116	1.026	0.950	0.826	0.656	.83	69	24.90
18/457	1.631	1.401	1.288	1.191	1.035	0.819	1.10	52	33.00
16/406	2.104	1.811	1.664	1.538	1.335	1.055	1.51	38	45.30
14/356	-	2.390	2.207	2.048	1.784	1.410	1.70	34	51.00
12.75/324	-	-	-	-	2.161	1.724	2.30	25	69.00
10.75/273	-	-	-	-	-	2.373	2.86	20	85.80
8.625/219	-	-	-	-	-	-	3.82	15	114.60
6.625/168	-	-	-	-	-	-	4.41	13	132.20

STANDARD 6" - 20"

SIZE	WEIGHT	
	lb	kg
6"	1240	563
8"	1280	581
10"	1200	544
12"	1200	544
14"	1440	653
16"	1280	581
18"	1550	703
20"	1175	533



SPECIFICATIONS FOR STANDARD 6" - 20" BENDING SETS

		LENGTH		WIDTH		HEIGHT	
		in	mm	in	mm	in	mm
Standard 6 - 20	Stiffback	85.5	2172	21.25	540	10	254
	Pin Up	13.25	337	21.25	540	10	254
	Die	41	1041	24	610	16	406